

# OPEN FIRST!

## Installation Instructions

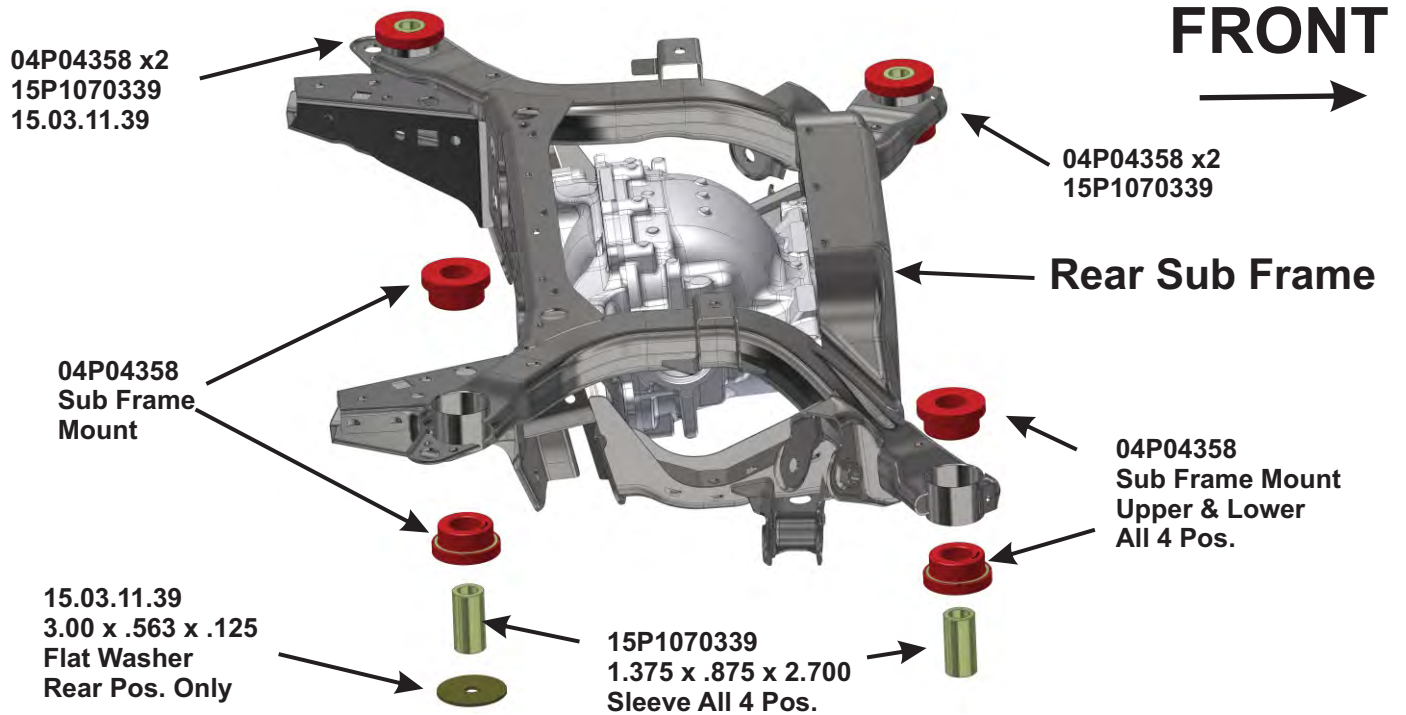
For set # 4.4122  
2015+ Ford Mustang  
Rear Sub Frame Bushing Set

# ENERGY SUSPENSION<sup>®</sup>

1131 VIA CALLEJON, SAN CLEMENTE, CA 92673

© 2015 Energy Suspension. All rights reserved.  
May not be reproduced, in any form, or by any means,  
without the written consent of Energy Suspension.

It is recommended that if you are unfamiliar with this type of work that you refer to a qualified service center specializing in this type of work. It is also recommended that if you choose to do this work yourself that a factory service manual be obtained for the proper procedures pertaining to removal, replacement and proper torque specifications for your vehicle. This instruction set is intended as a guideline for the safe installation of Energy Suspension's polyurethane bushings, once you have removed the factory components from your vehicle. Wheel alignment is almost always disturbed when suspension components are removed or replaced. It is recommended that you have the alignment checked on your vehicle at a qualified alignment shop. Energy Suspension recommends that you read over all the installation instructions and check all P/N's and quantities in the parts list before you start. Call customer service at 949-361-3935 if the parts in your kit do not match this parts list. Prior to installation, make sure that your vehicle is in excellent mechanical condition and that there are no suspension or steering related problems. This part has been designed to work only with a vehicle that is in good state of repair. No matter how carefully we design our parts, this is one area we have no control over and cannot be held responsible.



Complete Parts List on Page 2

### REAR SUB FRAME BUSHINGS REMOVAL/INSTALLATION

**ATTENTION:** We recommend acquiring a Ford factory workshop manual for all warnings and procedures to safely remove and install the drive shaft, wheels, rear shocks, brakes and rear sub frame. Or go online to [www.helminc.com](http://www.helminc.com) for an Online Service Information Subscription. Ford requires replacement of all hardware with any self-locking feature. Refer to the factory workshop manual for examples of self-locking nuts and bolts. This instruction set is intended as a guideline for the safe installation of Energy Suspension's polyurethane sub frame bushings, once you have removed the factory rear sub frame from your vehicle. Check that the parts you received in this kit match the parts list on page 2 (Fig. 1) A transmission jack will be needed for lowering and lifting the rear sub frame and a portable 10 ton hydraulic pull back ram to be used for removal of the factory rubber bushings. This hydraulic ram should be available from any tool and equipment rental company in your area. (Fig. 2) Remove the complete exhaust system from the catalytic converters to the tail pipes. Disconnect the differential vent tube located on top of the differential cover. Index mark the O.E. rear sub frame bushings for reference during installation (Fig. 3) Index mark the driveshaft and the pinion flange for reference during installation. (Fig. 4) Remove the 4 forward bracket bolts and the 4 sub frame mounting bolts and set aside. All 4 factory rubber bushings are the same size and will require the same setup to remove. (Fig. 5 & 6) The outer metal shell of the factory rubber bushing must be pressed out. (Fig. 7) After all 4 factory rubber bushings have been removed, remove all sharp edges that will contact the polyurethane bushings on the sub frame. Install the new polyurethane bushings as shown in the parts diagram above. Reinstall the sub frame according to the factory workshop manual. Use a thread locker compound on the threads of the bolts during installation. Reposition the sub frame and install the sub frame mounting bolts and front bracket bolts finger tight. On both sides align the sub frame index marks made during removal. (Fig. 8) Tighten the 4 rear sub frame bracket bolts and torque to 41 lb.ft. (Fig. 9) Tighten the 4 rear sub frame forward bolts and torque to 129 lb.ft. (Fig. 10) Reconnect the differential vent tube. Position the driveshaft to the pinion flange and align the index mark made during removal. Install the driveshaft-to-pinion flange bolts and torque to 41 lb.ft. After completing the installation, double check that all hardware has been properly torqued to factory specs. You should periodically inspect all hardware and components and replace any damaged components as necessary to maintain the reliability of your vehicle. \*Note: Installing firmer polyurethane sub frame and/or differential bushings will increase NVH and driveline noise.

# Installation Instructions

## For set # 4.4122

### 2015+ Ford Mustang Rear Sub Frame Bushing Set

1131 VIA CALLEJON, SAN CLEMENTE, CA 92673

© 2015 Energy Suspension. All rights reserved.  
May not be reproduced, in any form, or by any means,  
without the written consent of Energy Suspension.

Fig. 1

### Parts list: 4.4122

- 8 - 04P04358 Sub Frame Bushing  
Fits All 4 Positions Upper & Lower
- 4 - 15P1070339 Sleeve 1.375 x .875 x 2.700  
Fits All 4 Positions
- 2 - 15.03.11.39 Washer 3.00 x .563 x .125  
Fits Rear Position Only. Front Position Uses  
Factory Bracket.
- 1 - 17P17646 Instruction Sheet

Fig. 2

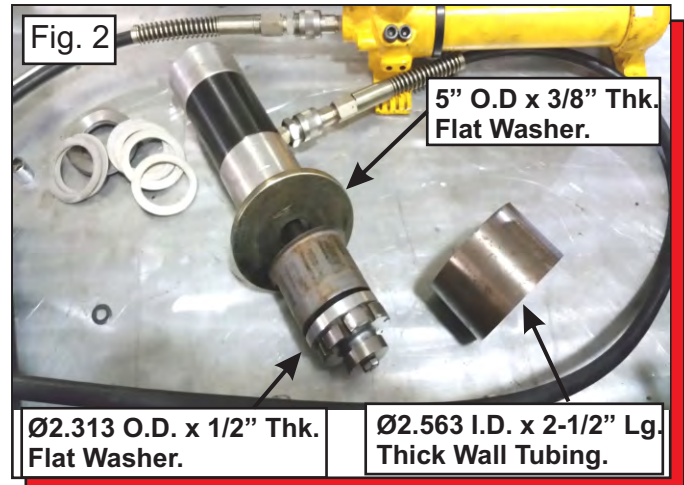


Fig. 3

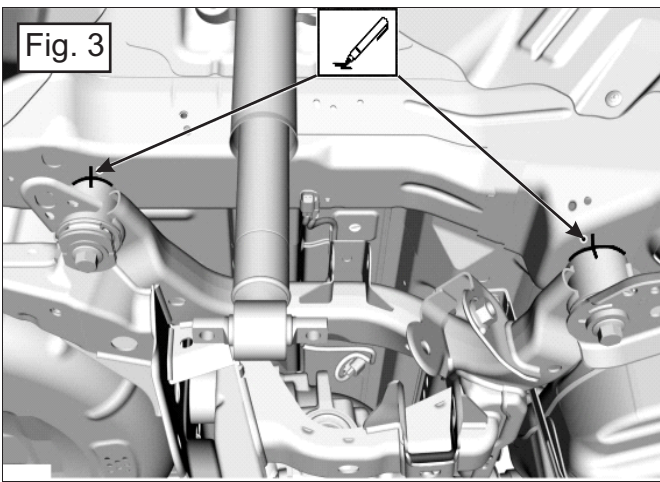


Fig. 4

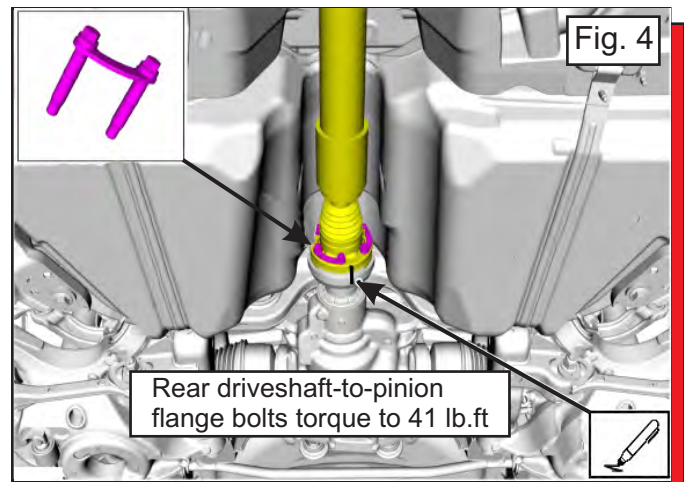


Fig. 5

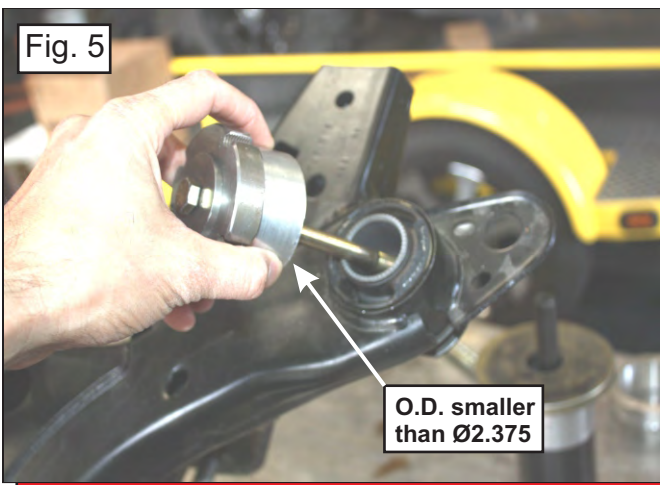
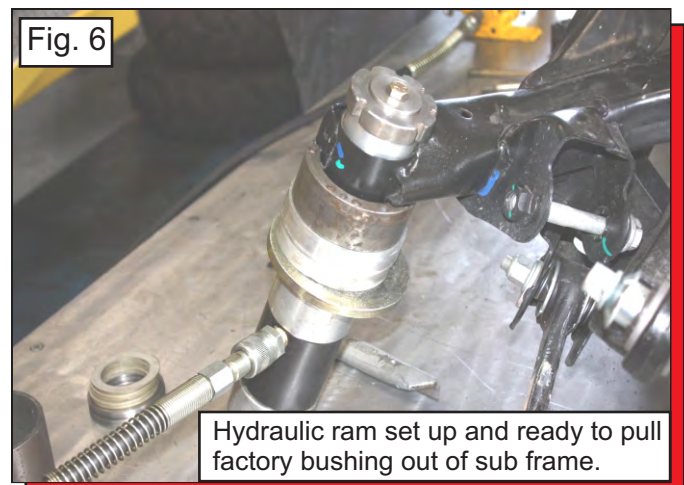


Fig. 6



# Installation Instructions

## For set # 4.4122

### 2015+ Ford Mustang

### Rear Sub Frame Bushing Set

1131 VIA CALLEJON, SAN CLEMENTE, CA 92673

© 2015 Energy Suspension. All rights reserved.  
May not be reproduced, in any form, or by any means,  
without the written consent of Energy Suspension.

