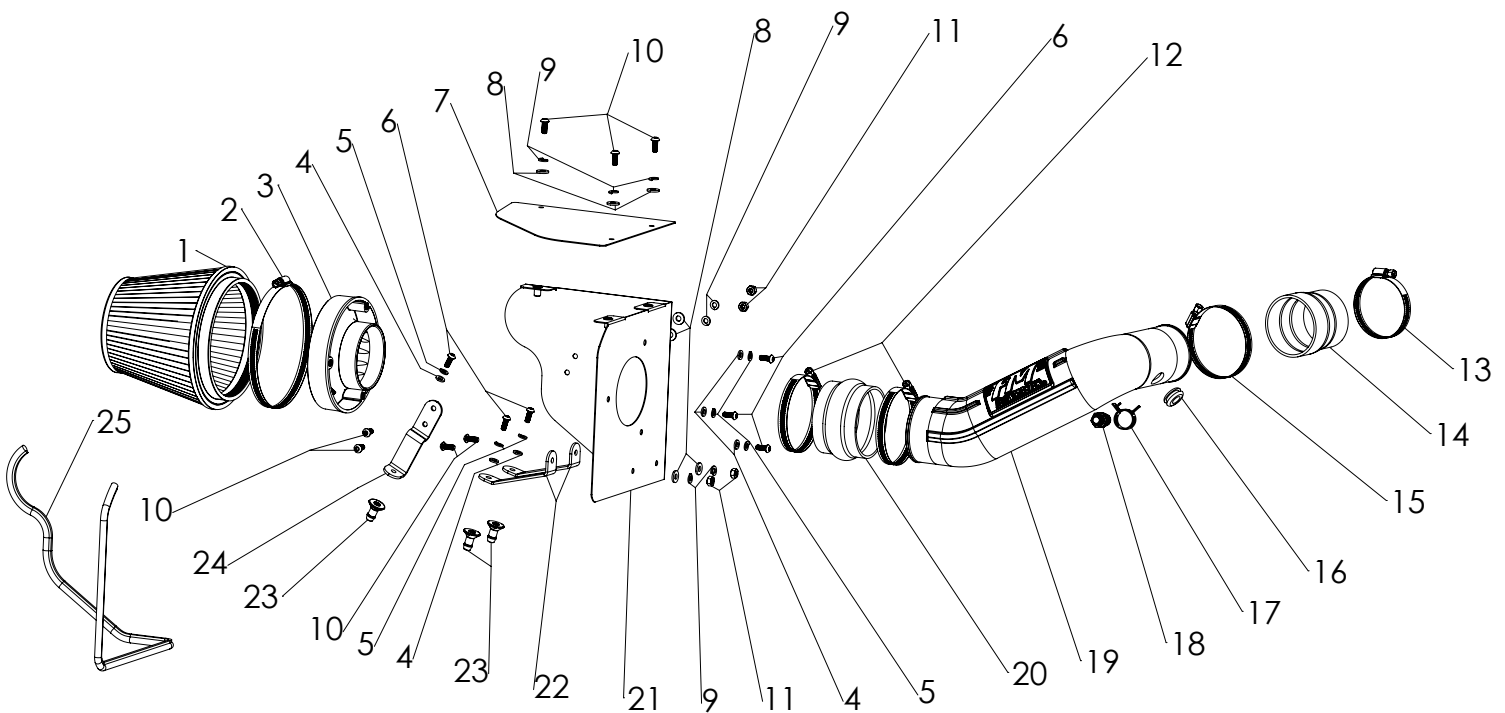




Installation Instructions for: SYSTEM #615142

2007-2011 WRANGLER
3.8L Engine



ITEM NO.	PART NUMBER	DESCRIPTION	QTY.
1		FILTER, AIR 6.625" HIGH, Ø6" FLANGE	1
2	AF1003	#104 HOSE CLAMP Ø4.125 TO 7"	1
3	AF6001	3.5" AIR FILTER ADAPTER	1
4	HW319	M6 FLAT WASHER SS	6
5	HW318	M6 SPLIT LOCK WASHER SS	6
6	HW244	M6 X 1.0 X 16MM BTNHD SS	6
7	AF3013	12-17 JEEP WRANGLER INTAKE AIRBOX LID	1
8	HW320	1/4" FLAT WASHER SAE SS	7
9	HW322	1/4" SPLIT LOCK WASHER SS	7
10	HW245	1/4"-20 X 5/8" BTNHD SS	7
11	HW115	1/4"-20 NUT SS	4
12	MC350H	#56 HOSE CLAMP Ø3 1/16 TO 4"	2
13	MC250H	#44 HOSE CLAMP Ø2.25" TO 3.25"	1

ITEM NO.	PART NUMBER	DESCRIPTION	QTY.
14	AF4031	3.0"ID X 2.75"ID X 3"L RUBBER COUPLER, STRAIGHT	1
15	MC314H	#52 HOSE CLAMP Ø2 13/16 TO 3 3/4"	1
16	AF4008	GROMMET, RUBBER 1.06"OD X 1/2"ID X 7/16"THK	1
17	MC004P	5/8" HOSE PINCH CLAMP	1
18	AF4032	5/8" HOSE BARB TO 1/4" NPT MALE STRAIGHT	1
19	AF2013	MOLDED INTAKE TUBE, 07-11 JEEP WRANGLER, 3.8L	1
20	AF4019	3.5"ID X 2.5"L RUBBER COUPLER, HUMP	1
21	AF3007	12-17 JEEP WRANGLER INTAKE AIRBOX	1
22	AF5015	11 GA. X 1" BRACKET #2, 15-17 JEEP WRANGLER	2
23	AF7001	M6 X 1.0 BARB INSERT	3
24	AF5014	11GA X 1" BRACKET #1, 12-17 JEEP WRANGLER	1
25	49000061	PUSH ON VINYL AIR BOX TRIM SEAL	1